

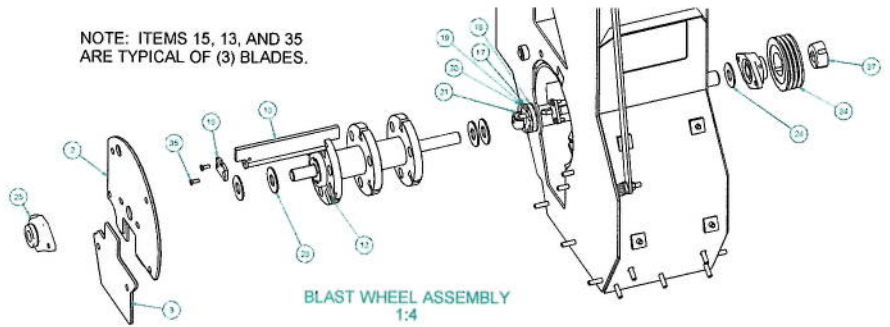
NOTE:
1 PART TO BE FREE OF SHARP EDGES, BURRS, SLAG AND WELD SPATTER

ITEM	QUANTITY	CATALOG NUMBER	DRAWING NUMBER	DESCRIPTION
1	1	P000024	220-0013	HOUSING/BLAST WELDMENT
2	1	P000025	220-0014	COVER PLATE/BLAST HOUSING
3	1	P000026	220-0015	INSPECTION COVER/BLAST HOUSING
4	1	WP100710	220-0030	LINER/PINCH BAR SLL
5	1	WP100713	220-0210	LINER/SPRINT-19 PINCH BAR BLAST HOUSING LOWER BACK WALL
6	1	WP043710	220-0254	LINER/LOWER FRONT - SLL
7	1	WP043703	220-0255	LINER/UPPER FRONT SLL
8	1	WP113721	220-0258	LINER/TOP CURVED SLL
9	1	WP003710	220-0248	SHAFT/ABRASIVE CONTROL VALVE
10	2	WP145706	220-0244	RETAINER/ABRASIVE CONTROL VALVE SEAL
11	1	WP187708	220-0245	SEAL/ABRASIVE CONTROL VALVE
12	1	WP123716	220-0207	SEAL/PISTON/ELCOW/VALVE
13	1	WP013714	220-0002	BLADE/SET/DOVETAIL 90°
14	3	0800172	220-0186	SEAL/BLADE KEEPER
15	3	WP123714	--	RETAINER/BLADE
16	1	1000003	--	CLAMP/ICE STALO 851
17	1	WP003710	220-0281	PINCH BAR
18	1	0800173	220-0180	SEAL/PINCH BAR
19	1	0800042	220-0259	INDEXER/PINCH BAR
20	1	0800043	220-0260	RETAINER/PINCH BAR
21	1	0800068	220-0110	RETAINER/PINCH BAR INDEXER
22	1	0800044	220-0281	RETAINER/OUTER PINCH BAR
23	5	P000028	220-0269	LINER/HOME SHW/T SEAL
24	2	0800170	220-0268	SEAL/SHW/T 1.02" BEARING
25	2	P001083	--	BRG/52 DODGE DL 1 000'S 205 CLCK
26	4	0900001	--	WASHER/CHANNEL 3/8"
27	1	0800157	220-0124	SCREWS/SHOT HOPPER
28	1	0800131	220-0148	HALF PIPE WELDMENT
29	1	0800150	220-0117	TRAW/CHCT
30	1	0800030	220-0047	ARM/ABRASIVE CONTROL VALVE
31	1	0800045	--	ACTUATOR/500M W/W/LODED STUD
32	1	0102007	220-0288	POINT/ALIGNMENT BAR
33	1	0800031	--	SHAW/5/T AP/ER/LOCK 3/8"VA 15-1840 DODGE #112206 1/4" 20" LING
34	6	0310010	--	SCREWS/CAP FLAT HEX SOCKET
35	1	0350011	--	KEY LOCK W/INT
36	1	0800024	--	BUSHING/TAPER/LOCK 1810 X 1 007 DODGE #117159
37	2	0500016	--	CONNECTOR/CONDUIT 3/8" X 90 DEG
38	1	0500007	--	DRUM/LATCH/COVER CENTER W/T/TOGGLE ACTION
40*	1	P003847	220-0200	SHOT HOPPER DAMPER PLATE

REVISION			
E	QUANTITY	ITEM #	DESCRIPTION
B	QUANTITY	ITEM #	DESCRIPTION
C	QUANTITY	ITEM #	DESCRIPTION
D	QUANTITY	ITEM #	DESCRIPTION
A	QUANTITY	ITEM #	DESCRIPTION

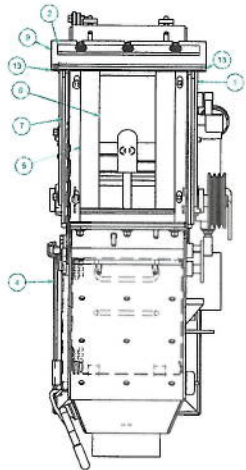
YOUNG & RUBICAM	9180000
US FILTER	220-0270
BLASTING	
BLAST HEAD ASSEMBLY	
GPX10-18 BLAST UNIT	
SCALE: 1:8	
DATE: 05/09	
REV: 1	
220-0270	

NOTE: ITEMS 15, 13, AND 35
ARE TYPICAL OF (3) BLADES.

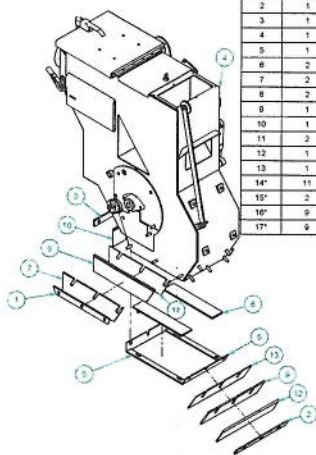


BLAST WHEEL ASSEMBLY
1:4

BLASTHEAD SHOWN WITH SEALS AND OPTIONAL LINE STRIPING ATTACHMENTS



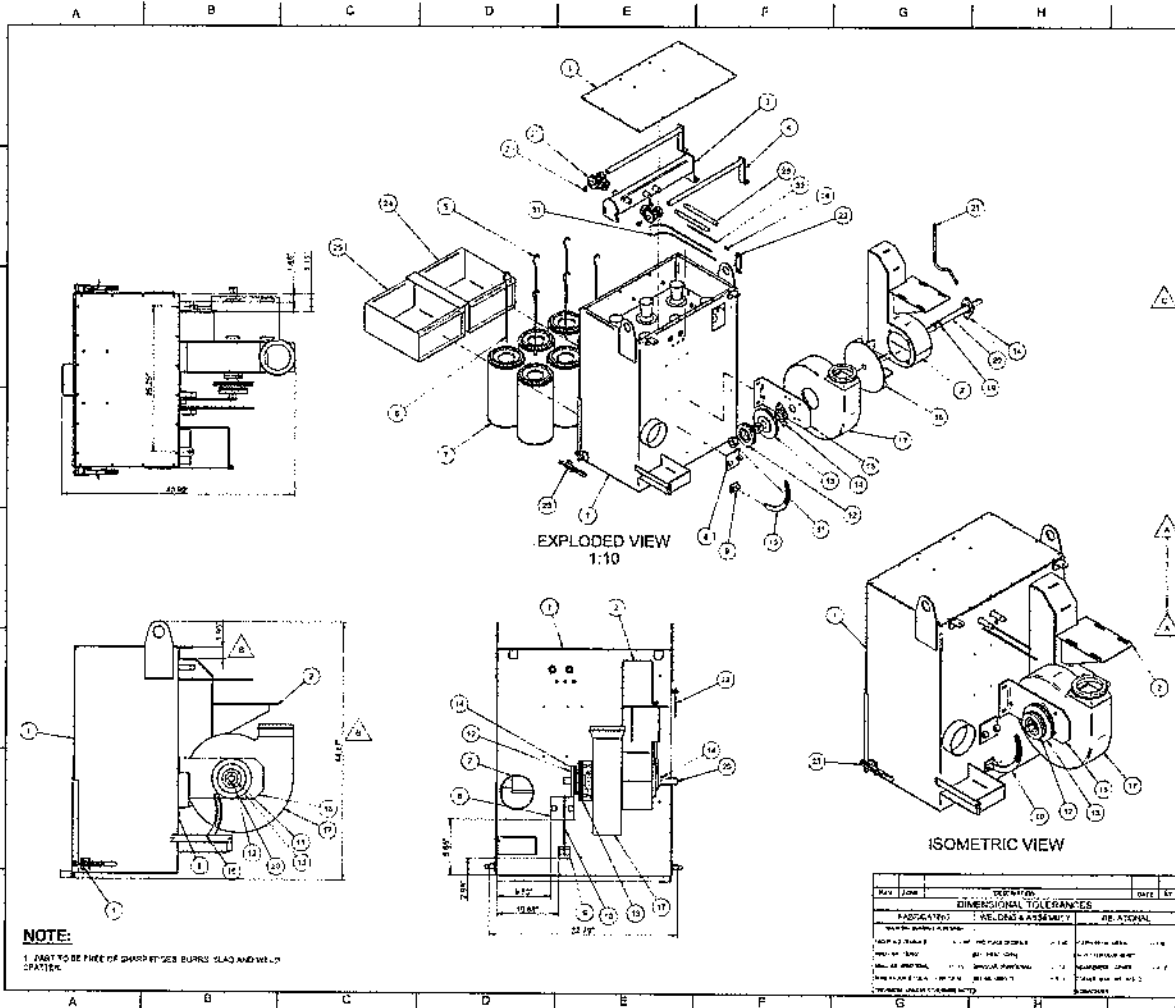
BOTTOM VIEW OF BLASTHEAD



OPTIONAL LINE STRIPING ASSEMBLY
1:8

ITEM	QUANTITY	CATALOG NUMBER	DRAWING NUMBER	DESCRIPTION	WIDTH	LENGTH
1	2	08000905	220-0052	RETAINER/SIDE SEAL	--	--
2	1	08000905	220-0078	RETAINER/FROST SEAL	--	--
3	1	08000905	220-0080	RETAINER/REAR SEAL	--	--
4	1	10180003	220-0270	BLASTHEAD ASSEMBLY - 10"	--	--
5	1	P000912	220-0239	BRACKET/BLAST PATTERN LINER	--	--
6	2	P000916	220-0243	LINER/BLAST PATTERN - 3 1/2" SLL	--	--
7	2	PA-10170	PA-10170	SEAL SIDE BLUE 60D URETHANE	4 00"	15 00"
8	2	01800001	--	BRUSH STRIP	3 50"	15 00"
9	1	PA-10172	PA-10172	SEAL FRONT BLUE 60D URETHANE	4 00"	13 63"
10	1	WP163711	225-0282	SEAL/DIAG-BRUSH	--	10 30"
11	2	PA-10169	PA-10169	SEAL SIDE BLK NEOPRENE	4 00"	15 00"
12	1	01800001	--	BRUSH STRIP	3 50"	13 63"
13	1	PA-10171	PA-10171	SEAL FRONT BLK URETHANE	4 00"	13 63"
14	11	8001500	--	WASHER/LOCK 3/8"	--	--
15	2	0180108	0180108	NUT/HOSE END CAP 3/8"-16 UNC	--	--
16	9	8021040	--	WASHER/FLAT 3/8"	--	--
17	9	8005600	--	NUT-EX 3/8"-16 UNC	--	--

REV	DATE	DESCRIPTION	BY	CHKD
REVISION				
1		ISSUED FOR PRODUCTION		
<p>YOUNG & RUBICAM US FILTER BLASTBAG</p>				
<p>BLAST HEAD ASSEMBLY GPX10-18 BLAST UNIT</p>				
<p>SCALE: 1:8 SHEET: 1 OF 2</p>				
220-0270				



ITEM	QUANTITY	CATALOG NUMBER	DESCRIPTION
1	1	P00426	DUST COLLECTOR HOUSING
2	1	P00443	PULSE JET AIR PLUMB
3	1	P00451	PULSE JET HEADER
4	2	P00442	EXHAUST DOWN
5	1	004493	HANDHOLD TIGHT PIN
6	0	017002	CAP AND PROTECTIVE CLOSURE 1/4" DIA X 1/8"
7	6	48124	ELEMENT FILTER - 54 SQ FT
8	1	1025007	BRACKET ALTERNATOR MOUNTING
9	1	0170248	BRACKET ALTERNATOR ADJUSTING ARM
10	1	0182248	BRACKET ARM ALTERNATOR
11	2	1000025	BUSHING 1/8" x 1/2" DIA. TA
12	1	0152033	SHIM 1/8" x 1/2" x 1/16" THK
13	1	0115027	SHIM 1/8" x 1/2" x 1/16" THK
14	2	0111033	D-LOCK BEARING 1/2" BOLT FLANGE 1.10"
15	1	0180050	BRACKET BLOWER HOUSING 0180050
16	1	0180050	BL-12 BLOWER HOUSING
17	1	0180050	BL-12 BLOWER HOUSING
18	2	0180050	RETAINING RING 1/2" x 1/8" x 1/16" THK 1/8" DIA
19	2	0180050	RETAINING RING 1/2" x 1/8" x 1/16" THK 1/8" DIA
20	1	P00426	PULSE JET SHAF BLOWER
21	1	0180050	HOUS. PULSE JET SHAF BLOWER X 1/2" DIA. X 1/2" DIA. X 1/2" DIA.
22	1	0180050	LATCH DUST COLLECTOR DOOR
23	2	0180050	GLASS DOOR DE-SEALED 351
24	1	P00442	DUST TRAY - RH
25	1	P00442	DUST TRAY - LH
26	1	P00442	AUTOMATIC OP-10-15 DUST CELL - 1.10"
27	1	0180050	BL-12 BLOWER HOUSING
28	2	0180050	RETAINING RING 1/2" x 1/8" x 1/16" THK 1/8" DIA
29	1	0180050	RETAINING RING 1/2" x 1/8" x 1/16" THK 1/8" DIA
30	2	0180050	RETAINING RING 1/2" x 1/8" x 1/16" THK 1/8" DIA
31	2	0180050	RETAINING RING 1/2" x 1/8" x 1/16" THK 1/8" DIA
32	1	0180050	RETAINING RING 1/2" x 1/8" x 1/16" THK 1/8" DIA
33	1	0180050	RETAINING RING 1/2" x 1/8" x 1/16" THK 1/8" DIA
34	1	0180050	RETAINING RING 1/2" x 1/8" x 1/16" THK 1/8" DIA

C. DIM.	PER DRAWING LISTED	10.000	1.00	0.000
B. DIA.	PER DRAWING LISTED	10.000	1.00	0.000
A. THK.	PER DRAWING LISTED	10.000	1.00	0.000
W. DIA.	PER DRAWING LISTED	10.000	1.00	0.000

TOLERANCES

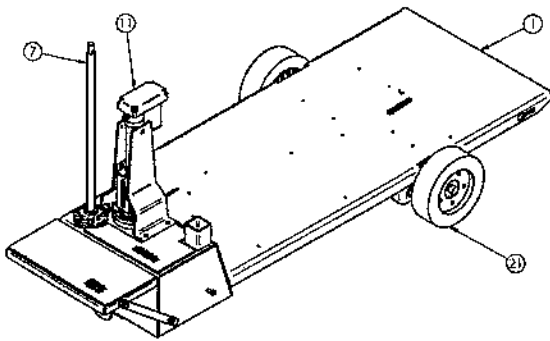
FINISH	PER DRAWING LISTED	10.000	1.00	0.000
APPROX.	PER DRAWING LISTED	10.000	1.00	0.000
APPROX.	PER DRAWING LISTED	10.000	1.00	0.000

BLASTRAC

PULSE JET DUST COLLECTOR ASSEMBLY

220-0314

ITEM	QUANTITY	PART NUMBER	Document Number	DESCRIPTION	ITEM	QUANTITY	PART NUMBER	Document Number	DESCRIPTION
23	5	PA-11076	PA-11076	WHEEL SPEED SENSOR SPACER	1	1	PG-10398	PG-10398	DECK WELDMENT
24	1	05730007	--	CABLE/PROXIMITY SENSOR	2	2	02110025	--	BRG/ PILOT FG4 RFC 1.000"B FAFNIR
25	1	P002245	--	PROXIMITY SENSOR	3	2	02110026	--	BRG/ PILOT FG4 RFC 1.500"B FAFNIR
26	1	PA-11073	PA-11073	WHEEL SENSOR BRACKET	4	1	08300070	220-0087	SPACER/STEERING SHAFT BEARING



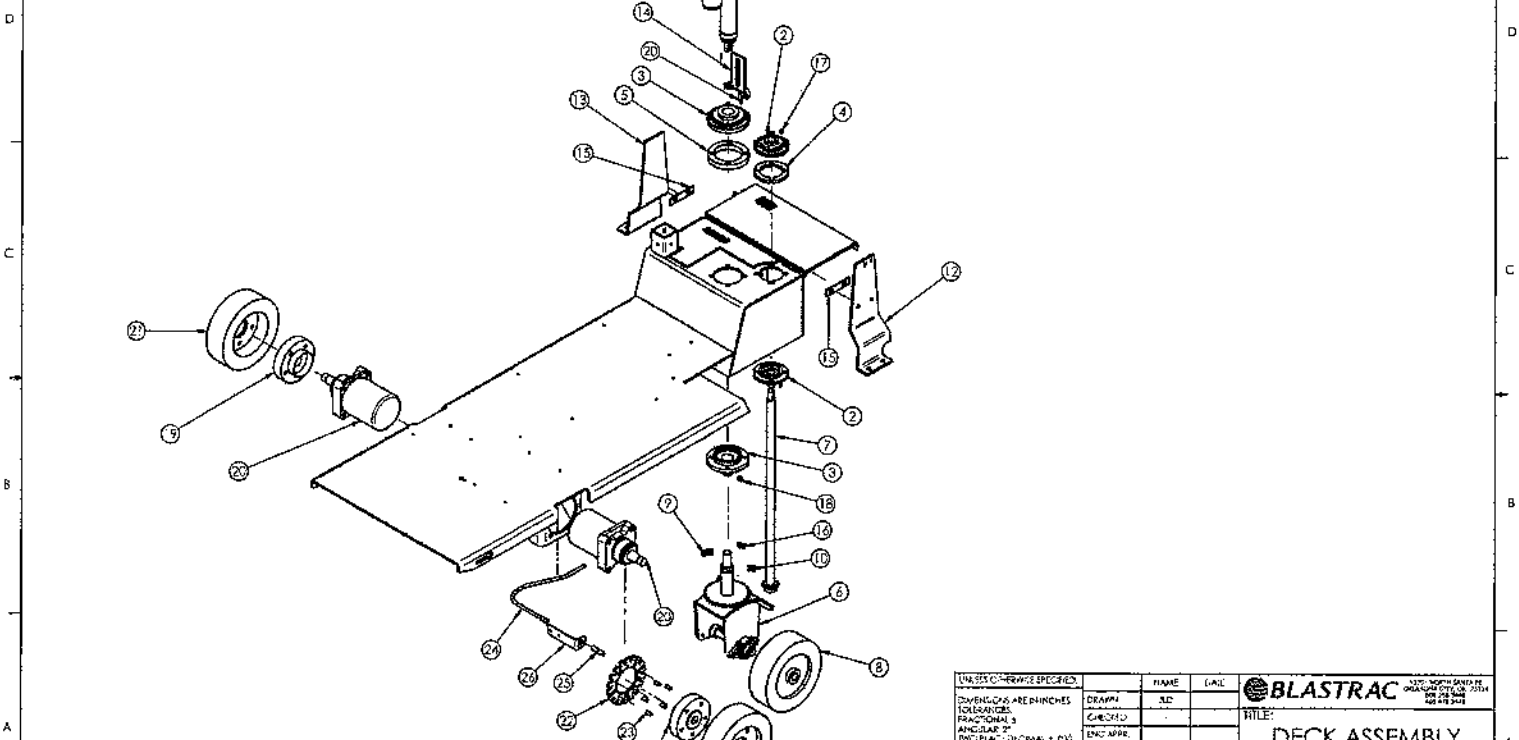
5	1	08300069	220-0086	SPACER/ WHEEL SHAFT BEARING
6	1	08300007	220-0224	FRONT FORK ASSEMBLY
7	1	08300137	220-0154	SHAFT-ASM/ STEERING
8	1	CP-10311	--	FRONT TIRE NON-MARKING
9	1	2546610	--	CHAIN/ ROLLER 0.500 INCH ASA #40 - SINGLE STRAND (RIVETED)
10	1	4528360	--	LINK/ CONNECT 0.5000P CHAIN ASA #40
11	1	06300064	--	ACTUATOR / 1500LB 12V #570A114
12	1	P0300875	220-0217	BRACKET/ ACTUATOR - R.H.
13	1	P0300876	220-0218	BRACKET/ ACTUATOR L.H.
14	1	P0300878	220-0219	GUIDE/ ACTUATOR
15	2	08300115	220-0132	SPACER/ FRONT LIFT ACTUATOR
16	1	4528370	--	LINK/ OFFSET 0.5000P CHAIN ASA#40
17	3	02230004	--	FITTING/ GREASE - ZERT 1/8"NPT X STRI #1A10-BL
18	1	02230002	--	FITTING/GREASE ZERK #1688-B 1/8" (45)
19	2	CP-10312	--	WHEEL HUB REAR
20	2	CP-10313	--	HYDRAULIC WHEEL MOTOR, REAR
21	2	CP-10314	--	WHEEL ASSY., REAR NON-MARKING
22	1	PA-11072	PA-11072	WHEEL SPEED SENSOR

REV	ECHE	DESCRIPTION	DATE	APPROVED	BY	CG#
A		NEW PART	3-11-11		ILD	

PROPRIETARY AND CONFIDENTIAL
 THE INFORMATION CONTAINED HEREIN IS THE SOLE PROPERTY OF BLASTRAC. ANY DISCLOSURE OF THIS INFORMATION WITHOUT THE WRITTEN PERMISSION OF BLASTRAC IS PROHIBITED.

UNLESS OTHERWISE SPECIFIED:		NAME	DATE	
DIMENSIONS ARE IN INCHES UNLESS OTHERWISE SPECIFIED		DRAWN	ILD	
FRACTIONAL & DECIMAL PLACES		CHECKED		
TOLERANCES UNLESS OTHERWISE SPECIFIED		ENG APPR		
TYPICAL PLACE DECIMALS: .03125, .0625, .125, .25, .5, 1.0, 2.0, 5.0, 10.0		INTG APPR		TITLE: DECK ASSEMBLY
SUBMITTING COMPANY: BLASTRAC		D.A.		SIZE (DWG NO.): B PG-10399
REV: 1		COMMENTS		SCALE: **WEIGHT: SHEET 1 OF 1
DO NOT SCALE DRAWING				

8 7 6 5 4 3 2 1

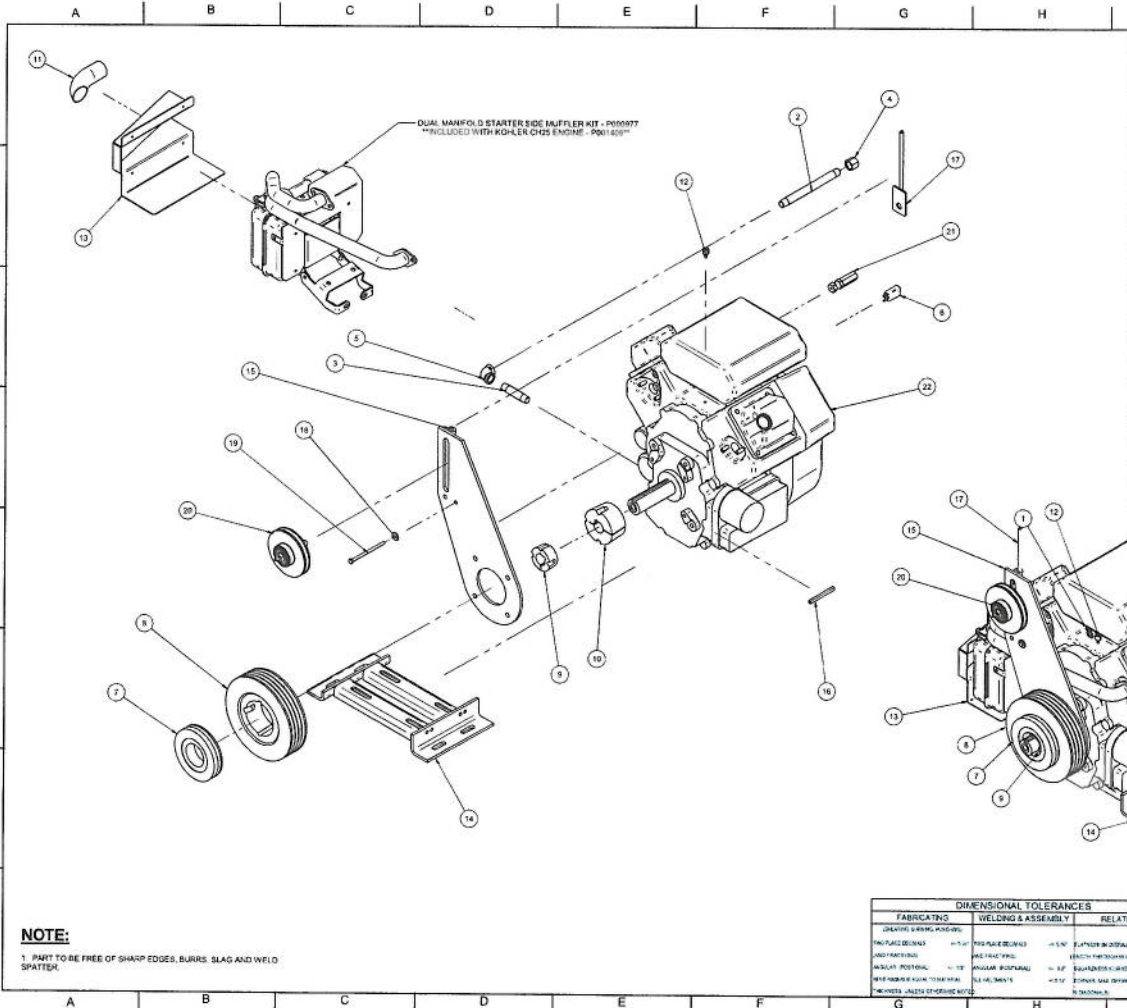


REV.	QC/NE	DESCRIPTION	DATE	APPROVED	BY	CO#
A	--	NEW PART	3-11-11		JLD	--
REVISIONS						

PROVIDENT AND ENGINEER
 THE INFORMATION CONTAINED IN THE
 DRAWING IS THE SOLE PROPERTY OF
 PROVIDENT AND ENGINEER. IT IS TO BE
 USED ONLY FOR THE PROJECT AND NOT TO BE
 REPRODUCED OR TRANSMITTED IN ANY
 FORM OR BY ANY MEANS WITHOUT THE WRITTEN
 PERMISSION OF PROVIDENT AND ENGINEER.

UNLESS OTHERWISE SPECIFIED:	FINISH	DATE		<small>1000 NORTH CENTER BL GRAND RAPIDS, MI 49504 616-241-2000</small>
DIMENSIONS ARE IN INCHES DECIMALS FRACTIONS ANGULAR 2° HOLE PLACE DECIMALS 2-3 HOLE PLACE DECIMALS 2-3	DRAWN: JLD CHECKED: ENCAPPE: IN CAPPE: U.A.	TITLE: DECK ASSEMBLY		SIZE DWG NO. B PG-10399
PREPARED BY: JLD CHECKED BY: JLD DATE: 3-11-11	COMMENTS:		SCALE: ***WEIGHT:	SHEET 1 OF 1

8 7 6 5 4 3 2 1



ITEM	QUANTITY	CATALOG NUMBER	DRAWING NUMBER	DESCRIPTION	Length
1	1	0209005		COLLAR/SHAFT 3/8"ID	--
2	1	04870914	--	NIPPLE/PIPE 1/4" X 7"	7.00
3	1	04870915	--	NIPPLE/PIPE 1/4" X 3"	3.00
4	1	04880002	--	CADPIPE HEX 3/4"	--
5	1	04880078	--	ELBOW/PIPE 3/8" X 90DEG.	--
6	1	05110004	--	FUSE BLOCK 12V x 30 AMP	--
7	1	06150003	--	SHEAVE 1GR3V 5.0-1610 TL	--
8	1	06150004	--	SHEAVE/MOTOR 8.00" 4 GR 3V TL	--
9	1	06300025	--	BUSHING/10 x 1 1/2" DIA TL	--
10	1	06300052	--	BUSHING/517 x 1 1/2" DIA TL	--
11	1	07100030	220-0260	MUFFLER TIP	--
12	1	07100031	--	FITTING/HOTTILE CABLE 25HP	--
13	1	07100036	220-0269	GUARD/MUFFLER CHISE	--
14	1	07100036	220-0275	BRACKET/MOTOR MOUNT/ND	--
15	1	07100037	220-0274	BRACKET/IDLER PULLEY 25 HP	--
16	1	08300076	220-0093	STEP SUPPORT STOP	--
17	1	04300104	220-0278	BRACKET/IDLER PULLEY ADJUSTMENT	--
18	1	5001000	--	WASHER/FLAT 1/4"	--
19	1	020808	--	SCREW/CAP HEX 8G-1.0	100mm
20	1	P000892	220-0223	EXLER ASSEMBLY	--
21	1	P001173	220-0285	SPACER/ADJUSTABLE IDLER BRACKET	--
22	1	P005173	--	ENGINE KOHLER 25 HP W/CHROME STYLE OF CARBURETOR-OPEN LOOP "LP ONLY"	--
23	1	04520006	--	HOSE/PO 5/16"ID R5R5 350P/31 MAX.	10.8 ft
24	1	07520014	--	FITTING/8R FLARE x 1/4 NPT ELBOW	--
25	1	07300038	--	COUPLER/NOIS/AVEL SA68 X 5/16"ID R5R5 HOSE	--
26	1	07520012	--	CONNECTS QUICK	--

NOTE:
 1. PART TO BE FREE OF SHARP EDGES, BURRS, SLAG AND INFLD SPATTER.

DIMENSIONAL TOLERANCES		
FABRICATING	WELDING & ASSEMBLY	RELATIONAL
SAFETY: 2.000 (+0.000)	FACE: 0.005	AXIS: 0.005
FACE: 0.005	AXIS: 0.005	AXIS: 0.005
AXIS: 0.005	AXIS: 0.005	AXIS: 0.005
AXIS: 0.005	AXIS: 0.005	AXIS: 0.005
AXIS: 0.005	AXIS: 0.005	AXIS: 0.005
AXIS: 0.005	AXIS: 0.005	AXIS: 0.005

REV	DATE	BY	CHKD
1	02/05/08	020808	021
2	02/05/08	020808	021

APPROVED BY: [Signature] DATE: 02/05/08

BLASTRAC
 4229 South Central
 Oklahoma City, OK 73114
 USA

SCALE: 1:1
 DATE: 10/05/08
 SHEET: 1 OF 1

220-0326